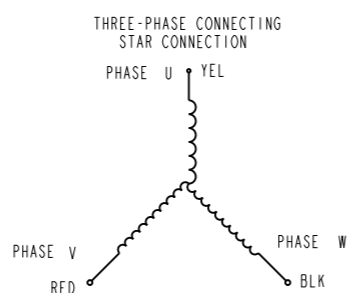
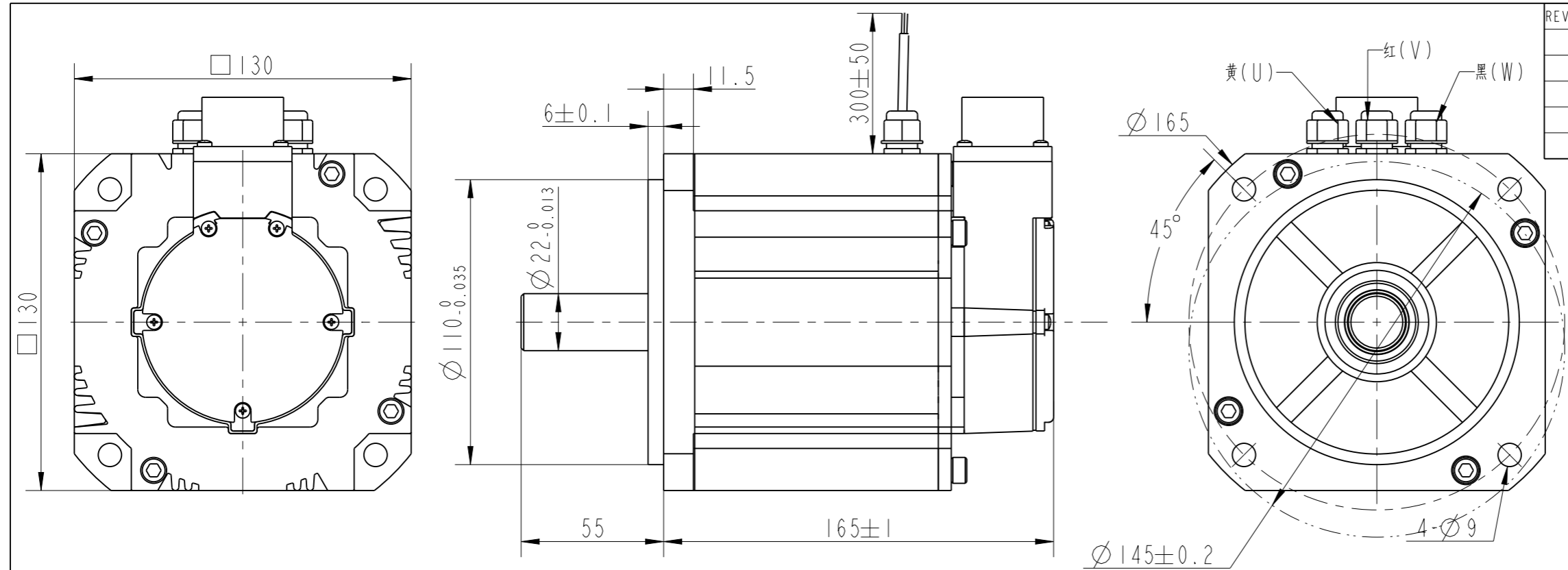
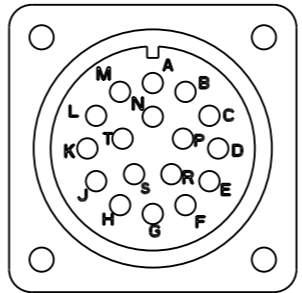


REV	ECN	NO	DESCRIPTION	DRN	APP'D	DATE



航插端定义	信号定义	颜色
A	VCC	红
B	GND	黑
C	A+	绿
D	A-	绿黑
E	B+	橙
F	B-	橙黑
G	Z+	黄
H	Z-	黄黑
J	U+	棕
K	U-	棕黑
L	V+	灰
M	V-	灰黑
N	W+	白
P	W-	白黑
R	PE	屏蔽网

NUMBER OF PHASE	绕组相数	3	Connector for Phases		
NUMBER OF POLES	极数	10	PHASE U	PHASE V	PHASE W
LINE TO LINE RESISTANCE	线电阻	0.025±10% ohms@20°C(不含配漆线束)	YEL	RED	BLK
LINE TO LINE INDUCTANCE	线电感	0.14±20% mH@1kHz	Feedback info		
NOMINAL VOLTAGE	额定电压	48 VDC	Feedback device:2500ppr incremental optical encoder		
NO LOAD SPEED	空载转速	3200 ±10% RPM	PERMISSIBLE RADIAL+AXIAL FORCE 		
NO LOAD CURRENT	空载电流	5.3A(ref)			
RATED TORQUE	额定转矩	9.55 N.m			
RATED SPEED	额定转速	2000 RPM			
RATED CURRENT	额定电流	52.9 A			
PEAK TORQUE	峰值扭矩	28.7 N.m			
PEAK CURRENT	峰值电流	158.7 A			
BACK EMF CONSTANT	反电势常数	12 Vrms/kRPM			
TORQUE CONSTANT	转矩常数	0.18 N.m/A			
INSULATION CLASS	绝缘等级	F 155°C			
DIELECTRIC STRENG	介电强度	600VAC ISEC	DISTANCE	距离	a=/ mm
INSULATION RESIST	绝缘电阻	100MΩhm @500VDC	RADIAL-FORCE	径向压力	Fr=/ N Max
ROTOR INERTIA	转子转动惯量	/kg.cm ²	SHAFT RADIAL PLAY	径向间隙	/mm Max.@4N
WEIGHT	重量	/ Kg	SHAFT AXIAL PLAY	轴向间隙	/mm Max.@4N
OPERATION AMBIENT	使用环境	Ambient temperature:-20...+50°C,humidity Max.85%(No condensation)			
STORAGE AMBIENT	存储环境	Ambient temperature:-20...+85°C,humidity Max.85%(No condensation)			



A			DESIGN	DATE	P/N.	
REV	ECN NO.	DESCRIPTION	CHECK		TITLE	130伺服电机
UNLESS OTHERWISE SPECIFIED TOLERANCES:		MATERIAL	WEIGHT		USED ON	FL130SV200-48V-20EA1
DECIMALS:			SHEET	STANDARDIZATION	DWG NO.	
.X ±0.5			1 OF 1		REV	A
.XX ±0.25						
.XXX ±0.1						
UNIT: mm		FIRST ANGLE PROJECTION	SCALE	APPD	FULLING MOTOR	
DO NOT SCALE DRAWING			1:4			