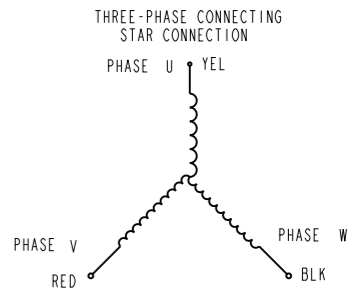
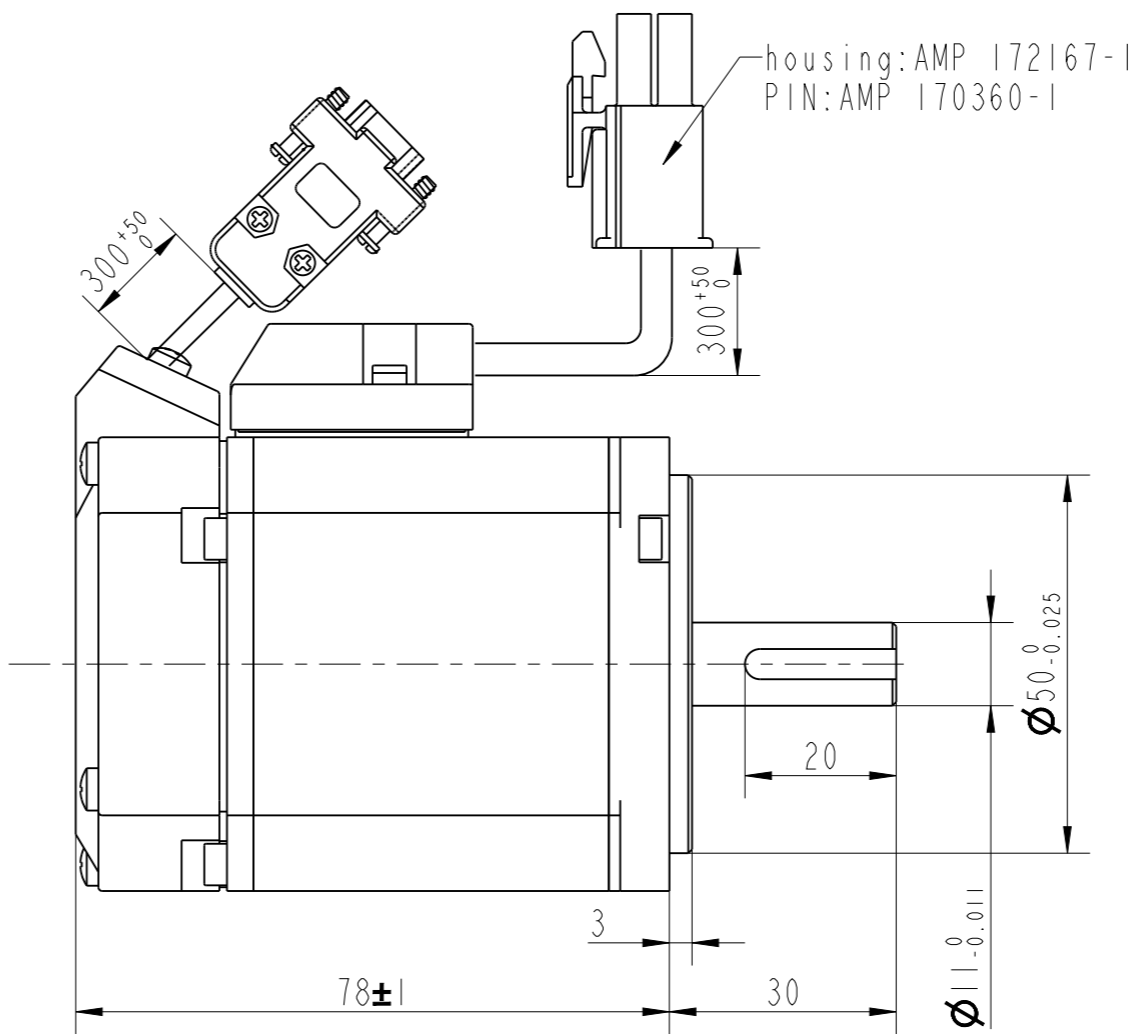
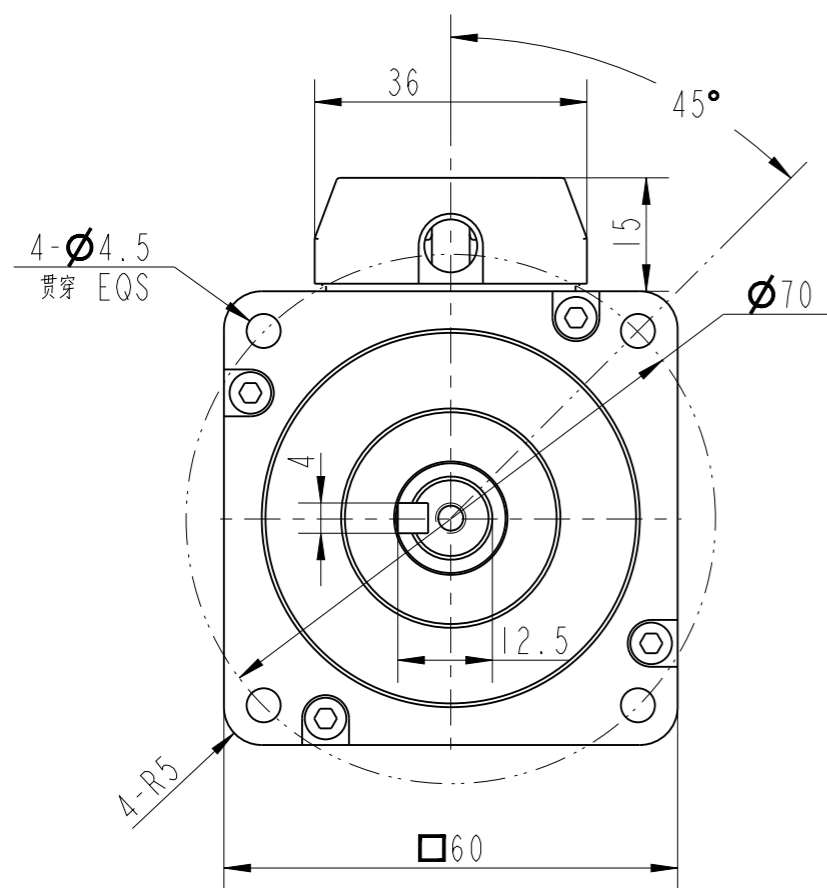


REV	ECN	NO	DESCRIPTION	DRN	APP'D	DATE



NUMBER OF PHASE	绕组相数	3	Wires for Phases AWG19		
NUMBER OF POLES	极数	10	PHASE U	PHASE V	PHASE W
LINE TO LINE RESISTANCE	线电阻	0.41±10% ohms@20°C	YEL	RED	BLK
LINE TO LINE INDUCTANCE	线电感	0.65±20% mH@1kHz	Feedback Info		
NOMINAL VOLTAGE	额定电压	48 VDC	Feedback device: 2500ppr incremental optical encoder		
NO LOAD SPEED	空载转速	5000±10% RPM			
NO LOAD CURRENT	空载电流	0.8 A			
RATED TORQUE	额定转矩	0.64 N.m	PERMISSIBLE RADIAL+AXIAL FORCE 		
RATED SPEED	额定转速	3000 RPM			
RATED CURRENT	额定电流	6 A			
PEAK TORQUE	峰值扭矩	1.92 N.m			
PEAK CURRENT	峰值电流	18 A			
BACK EMF CONSTANT	反电势常数	6.5 Vrms/kRPM			
TORQUE CONSTANT	转矩常数	0.107 N.m/A			
INSULATION CLASS	绝缘等级	F 155°C			
DIELECTRIC STRENG	介电强度	600VAC ISEC			
INSULATION RESIST	绝缘电阻	100MΩ @500VDC			
ROTOR INERTIA	转子转动惯量	0.15X10 ⁻⁴ Kg.m ²	AXIAL-FORCE	轴向压力	Fa=98 N Max
WEIGHT	重量	0.95 Kg	DISTANCE	距离	a=20 mm
OPERATION AMBIENT	使用环境	Ambient temperature:-20...+50°C, humidity Max.85%(No condensation)			
STORAGE AMBIENT	存储环境	Ambient temperature:-20...+85°C, humidity Max.85%(No condensation)			

编码器出线定义

PIN	定义	PIN	定义
1	+5V	9	W+
2	GND	10	V+
3	/	11	Z-
4	U+	12	B-
5	U-	13	A-
6	Z+	14	W-
7	B+	15	V-
8	A+	外壳	SHIELD

DB 15M

电源出线定义

PIN位置	接口定义	引出线颜色
PIN1	U	YEL
PIN2	V	RED
PIN3	W	BLK

A		DESIGN	DATE	P/N.	
REV	ECN NO.	DESCRIPTION		TITLE	SPECIFICATIONS
UNLESS OTHERWISE SPECIFIED		MATERIAL	CONTR.	CHECK	USED ON
TOLERANCES:					FL60SV20-48V-30EA1
DECIMALS:		ANGULAR:		APPD	DWG NO.
.X ±0.5		±0° 30'			REV A
.XX ±0.25					
.XXX ±0.1					
UNIT: mm		FIRST ANGLE PROJECTION		SCALE 1:1	
DO NOT SCALE DRAWING				SHEET 1 OF 1	FULLING MOTOR