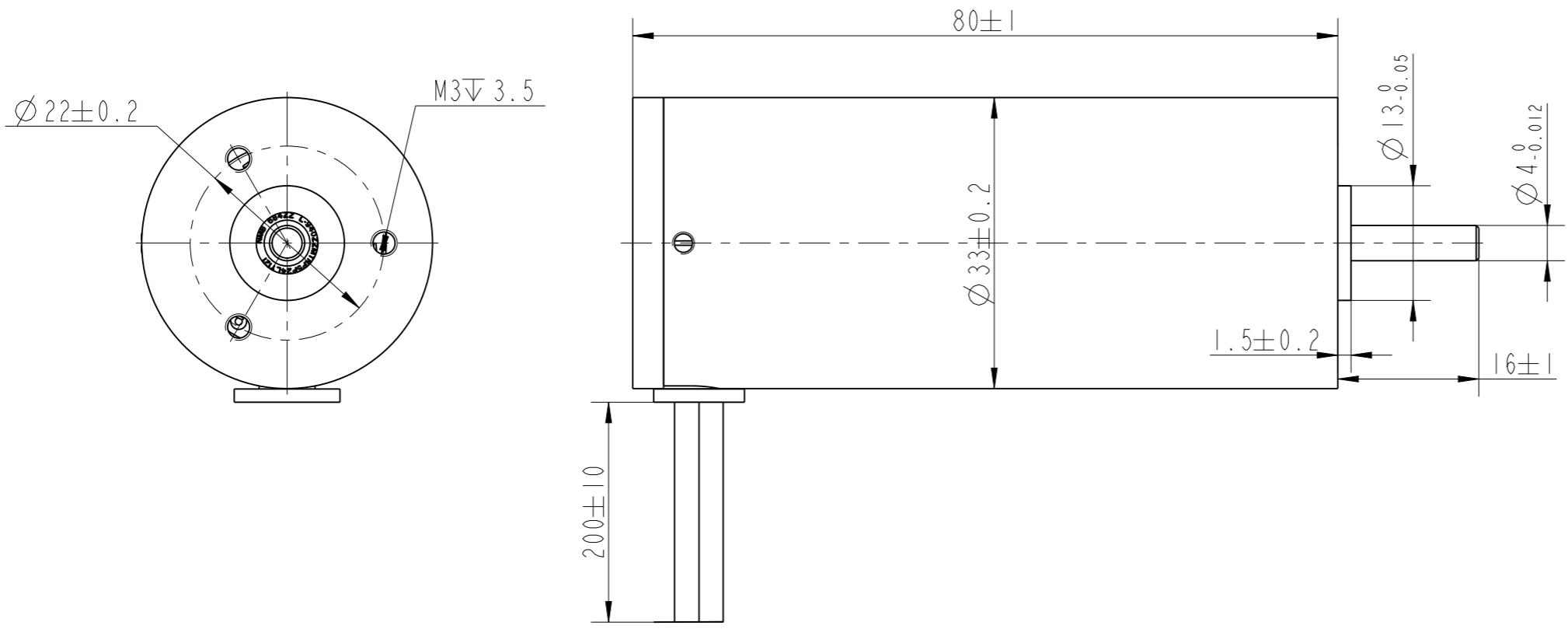
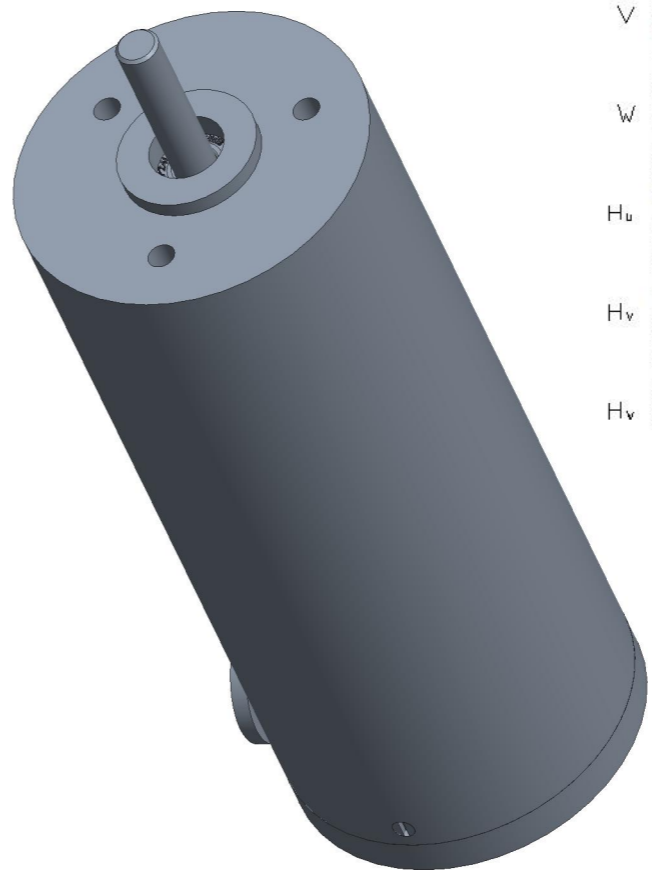
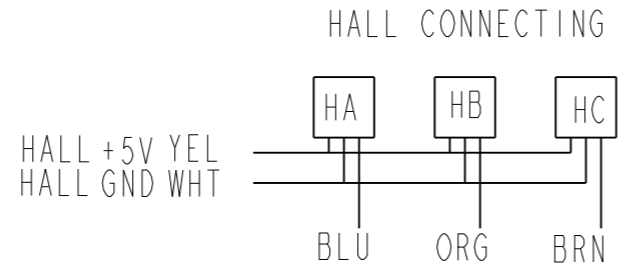
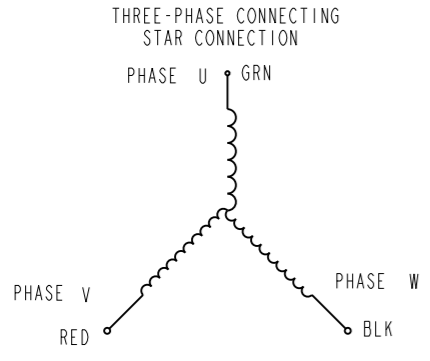
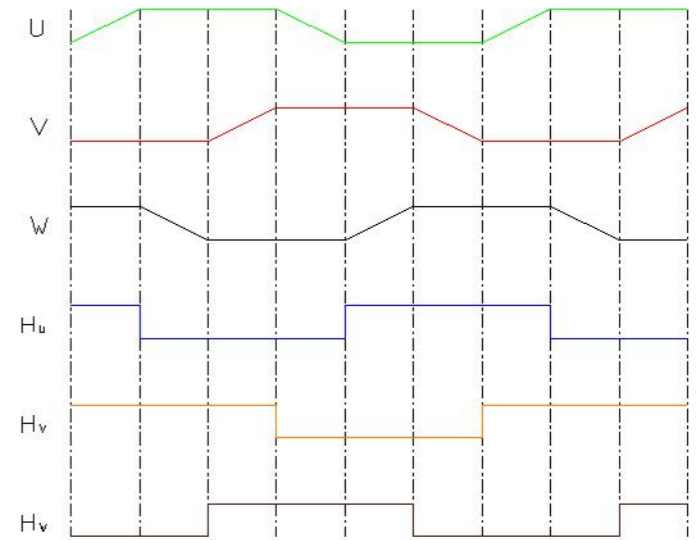


REV	ECN	NO	DESCRIPTION	DRN	APP'D	DATE



CW COMMUTATION  
VIEWED FROM OUTPUT SHAFT



NUMBER OF PHASE	绕组相数	3	Wires for Phases ULI430 AWG22				
NUMBER OF POLES	极数	3	PHASE U	PHASE V	PHASE W		
LINE TO LINE RESISTANCE	线电阻	0.86±10% ohms@20°C	GRN	RED	BLK		
LINE TO LINE INDUCTANCE	线电感	0.55±20% mH@1kHz	Wires for Hall ULI430 AWG26				
NOMINAL VOLTAGE	额定电压	24 VDC	HALL Vc	Hu	Hv	Hw	HALL Gnd
NO LOAD SPEED	空载转速	8500±10% RPM	YEL	BLU	ORG	BRN	WHT
NO LOAD CURRENT	空载电流	0.8 A @ 25°C	<b>PERMISSIBLE RADIAL+AXIAL FORCE</b> 				
RATED TORQUE	额定转矩	0.05 N.m					
RATED SPEED	额定转速	7800 RPM					
RATED CURRENT	额定电流	2.0 A					
PEAK TORQUE	峰值扭矩	0.15 N.m					
PEAK CURRENT	峰值电流	6.5 A					
BACK EMF CONSTANT	反电势常数	2.15 Vrms/kRPM					
TORQUE CONSTANT	转矩常数	29 mN.m/A					
INSULATION CLASS	绝缘等级	B 130°C					
DIELECTRIC STRENG	介电强度	1000VAC 1SEC					
INSULATION RESIST	绝缘电阻	100MΩ @ 500VDC	DISTANCE	距离	a=10 mm		
ROTOR INERTIA	转子转动惯量	23.55g.cm <sup>2</sup>	RADIAL-FORCE	径向压力	Fr=10 N Max		
WEIGHT	重量	0.2 Kg	SHAFT RADIAL PLAY	径向间隙	0.02mm Max. @4N		
OPERATION AMBIENT	使用环境	Ambient temperature:-20...+50°C, humidity Max.85%(No condensation)	SHAFT AXIAL PLAY	轴向间隙	0.14mm Max. @4N		
STORAGE AMBIENT	存储环境	Ambient temperature:-10...+85°C, humidity Max.85%(No condensation)					

REV	ECN NO.	DESCRIPTION	DESIGN	DATE	P/N.	TITLE
					3.1.02.033.0082	SPECIFICATIONS
UNLESS OTHERWISE SPECIFIED		MATERIAL	CONTR.	CHECK	USED ON	FL33BL80-24V-7840A-S
TOLERANCES:					DWG NO.	REV A
DECIMALS:						
.X ±0.5						
.XX ±0.25						
.XXX ±0.1						
UNIT: mm		FIRST ANGLE PROJECTION	SCALE 3:2		FULLING MOTOR	
DO NOT SCALE DRAWING			SHEET 1 OF 1			