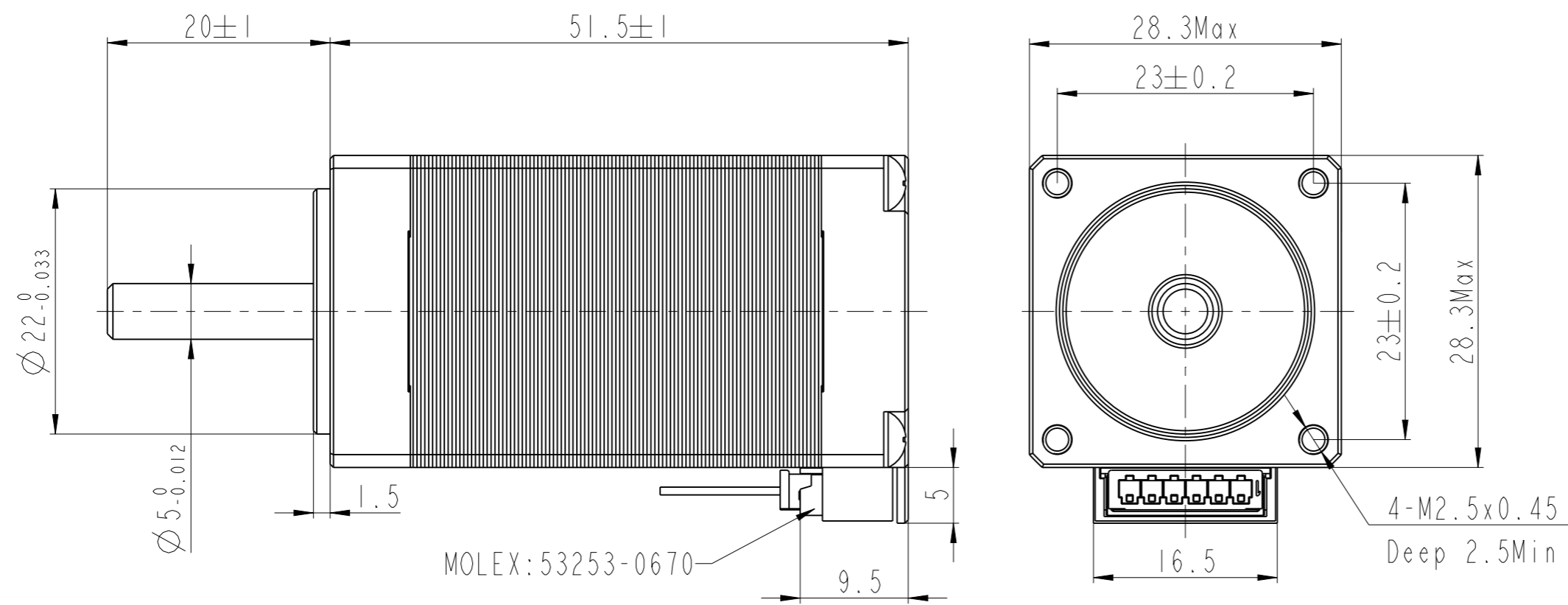
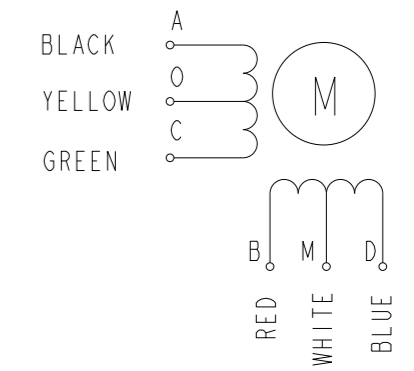


REV	ECN	NO	DESCRIPTION	DRN	APP'D	DATE



Wiring Diagram (接线图)



Exciting Sequence (励磁顺序)

CW DIRECTION	STEP	A	C	B	D	O	M
↓	1	+		+		+	+
	2		+	+		+	+
	3		+			+	+
	4	+				+	+
	1	+		+		+	+

CW see from the flange side (顺时针 从法兰侧看)

MOLEX: 53253-0670

PIN 1

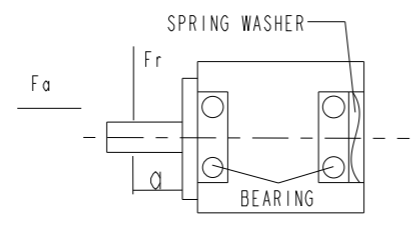
HOUSING MOLEX: 51065-0600
PIN MOLEX: 50212-8000

UL1430 AWG26
300±10

- PIN1 BLACK(黑)
- PIN2 YELLOW(黄)
- PIN3 GREEN(绿)
- PIN4 RED(红)
- PIN5 WHITE(白)
- PIN6 BLUE(蓝)

STEP ANGLE	步距角	1.8°/full step(整步)
STEP ANGLE ACCURACY	步距角精度	±5%
NUMBER OF PHASE	绕组相数	4
RATED VOLTAGE	额定电压	4.37 VDC
RATED CURRENT	额定电流	0.95 A
RESISTANCE/PHASE	每相电阻	4.6±10% OHMS@20°C
INDUCTANCE/PHASE	每相电感	1.45±20% mH@1kHz
HOLDING TORQUE	保持转矩	900 g.cm
PULL OUT TORQUE	运行转矩	/
BACK EMF	反电动势	/
DETENT TORQUE	定位转矩	/
ROTOR INERTIA	转子转动惯量	18 g.cm ²
WEIGHT	重量	200 g
TEMPERATURE RISE	温升	less than 80K(小F80开)
SOURCE VOLTAGE	驱动器电压	24 VCD
INSULATION CLASS	绝缘等级	B 130°C
DIELECTRIC STRENG	介电强度	500VAC 1MIN
INSULATION RESIST	绝缘电阻	100Mohm @500VDC
IP CODE	防护等级	IP30
OPERATION AMBIENT	使用环境	Ambient temperature: -20...+50°C, humidity Max.85%(No condensation)
STORAGE AMBIENT	存储环境	Ambient temperature: -20...+85°C, humidity Max.85%(No condensation)

PERMISSIBLE RADIAL+AXIAL FORCE
(允许轴向和径向力)



AXIAL-FORCE	轴向压力	Fa=7N Max
DISTANCE	距离	a=5mm
RADIAL-FORCE	径向压力	Fr=28N Max
SHAFT RADIAL PLAY	径向间隙	0.02mm Max. @4N
SHAFT AXIAL PLAY	轴向间隙	0.08mm Max. @4N

REV	ECN NO.	DESCRIPTION	DESIGN	DATE	P/N.
					3.1.01.028.
UNLESS OTHERWISE SPECIFIED TOLERANCES:		MATERIAL	CONTR.	CHECK	TITLE
DECIMALS: .X ±0.5					Specifications
.XX ±0.25					USED ON
.XXX ±0.1					FL28STC51-0956A
UNIT: mm		FIRST ANGLE PROJECTION	SCALE 2:1	APPD	DWG NO.
DO NOT SCALE DRAWING			SHEET 1 OF 1		REV A
					FULLING MOTOR