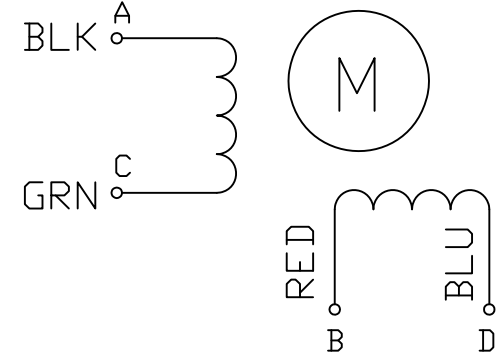


REV	ECN NO.	DESCRIPTION	DRN	APP'D	DATE

Wiring Diagram(接线图)



Exciting Sequence (励磁顺序)

CW DIRECTION	STEP	A	C	B	D
↓	1	+		+	
	2		+	+	
	3		+		+
	4	+			+
	1	+		+	

CW, see from flange side
(顺时针, 从法兰侧看)

specifications:

STEP ANGLE	步距角	1.8°/full step(整步)	PERMISSIBLE RADIAL+AXIAL FORCE (允许的轴向和径向力)
STEP ANGLE ACCURACY	步距角精度	±5%	
NUMBER OF PHASE	绕组相数	2	
RATED VOLTAGE	额定电压	5.88 VDC	
RATED CURRENT	额定电流	2.8 A	
RESISTANCE/PHASE	每相电阻	2.1±10% ohms@20°C	
INDUCTANCE/PHASE	每相电感	10±20% mH@1kHz	
HOLDING TORQUE	保持转矩	300 N.cm	
PULL OUT TORQUE	运行转矩	N.cm@ RPM	
BACK EMF	反电动势	V @300RPM	
DETENT TORQUE	定位转矩	N.cm	
ROTOR INERTIA	转子转动惯量	g.cm²	
WEIGHT	重量	1.8Kg	
TEMPERATURE RISE	温升	Less than 80K(≤80K)	AXIAL-FORCE 轴向压力 Fa=15N Max.
SOURCE VOLTAGE	驱动器电压	24 VDC	DISTANCE 距离 a=20 mm
INSULATION CLASS	绝缘等级	B 130°C	RADIAL-FORCE 径向压力 Fr=75 N Max.
DIELECTRIC STRENGTH	介电强度	500VAC 1MIN	
INSULATION RESISTANCE	绝缘电阻	100MΩ @500VDC	SHAFT RADIAL PLAY 径向间隙 0.02mm Max. @4.5N
IP CODE	防护等级	IP30	SHAFT AXIAL PLAY 轴向间隙 0.08mm Max. @4.5N
OPERATION AMBIENT	使用环境	Ambient temperature:-25...+40°C, humidity Max. 85%(No condensation)	
STORAGE AMBIENT	存储环境	Ambient temperature:-10...+35°C, humidity Max. 85%(No condensation)	

PN号	名称	数量	单位	备注	PN号	名称	数量	单位	备注
					DESIGN	DATE	P/N.		3.1.01.057.XXXX
UNLESS OTHERWISE SPECIFIED TOLERANCES					MATERIAL	CONTR.	CHECK	TITLE	Specifications
DECIMALS: .x ±0.5 .xx ±0.25 .xxx ±0.1							USED ON	FL57STH115-2804A	
ANGULAR: ±0°30'							DWG NO.		REV
UNIT: mm					FIRST ANGLE PROJECTION	SCALE	NTS		FULLING MOTOR
DO NOT SCALE DRAWING						SHEET	OF		