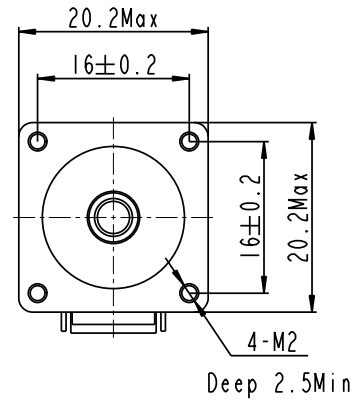
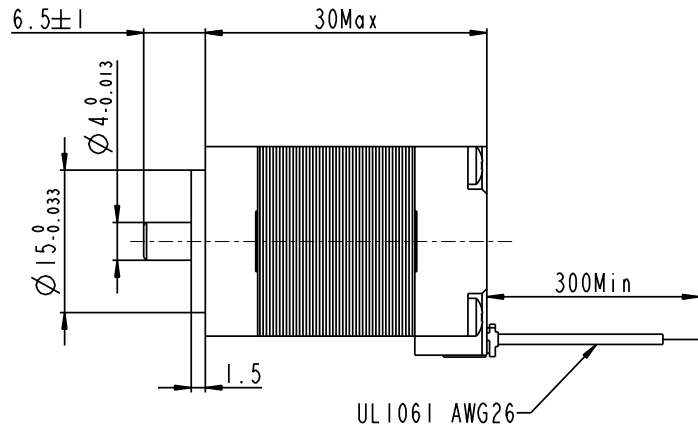
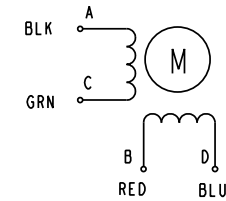


REV	ECN	NO	DESCRIPTION	DRN	APP'D	DATE



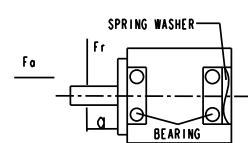
Wiring Diagram (接线图)



Exciting Sequence (励磁顺序)

CW DIRECTION	STEP	A	C	B	D
↓	1	+		+	
	2		+	+	
	3		+		+
	4	+			+
	1	+		+	

CW see from the flange side (顺时针 从法兰侧看)

STEP ANGLE	步距角	1.8°/full step(整步)	PERMISSIBLE RADIAL+AXIAL FORCE (允许轴向和径向力) 		
STEP ANGLE ACCURACY	步距角精度	±5%			
NUMBER OF PHASE	绕线相数	2			
RATED VOLTAGE	额定电压	3.9 VDC			
RATED CURRENT	额定电流	0.6 A			
RESISTANCE/PHASE	每相电阻	6.5±10% OHMS@20°C			
INDUCTANCE/PHASE	每相电感	1.9±20% mH@1kHz			
HOLDING TORQUE	保持转矩	180 g.cm			
PULL OUT TORQUE	运行转矩	/			
BACK EMF	反电动势	/			
DETTENT TORQUE	定位转矩	/			
ROTOR INERTIA	转子转动惯量	2.0 g.cm²			
WEIGHT	重量	60 g			
TEMPERATURE RISE	温升	less than 80K(≠780#)			AXIAL-FORCE
SOURCE VOLTAGE	驱动器电压	24 VDC	DISTANCE	距离	a:5mm
INSULATION CLASS	绝缘等级	B 130°C	RADIAL-FORCE	径向压力	Fr:20N Max
DIELECTRIC STRENG	介电强度	500VAC 1MIN	SHAFT RADIAL PLAY	径向间隙	0.02mm Max.Ø4N
INSULATION RESIST	绝缘电阻	100MΩ @500VDC	SHAFT AXIAL PLAY	轴向间隙	0.08mm Max.Ø4N
IP CODE	防护等级	IP30	OPERATION AMBIENT 使用环境 Ambient temperature:-20...+50°C,humidity Max.85%(No condensation)		
STORAGE AMBIENT	存储环境	Ambient temperature:-20...+85°C,humidity Max.85%(No condensation)			

D	151214001	首轴零件图更改	DESIGN	DATE	P/W.	3.1.01.020.0008
REV	ECN NO.	DESCRIPTION	CHECK		TITLE	Specifications
UNLESS OTHERWISE SPECIFIED TOLERANCES:		MATERIAL	CONTR.	APPD	USED ON	FL20STH30-0604A
DECIMALS: .X ±0.5 .XX ±0.25 .XXX ±0.1		ANGULAR: ±0°30'		SCALE	2:1	REV D
UNIT: mm		FIRST ANGLE PROJECTION		SHEET	1 OF 1	FULLING MOTOR